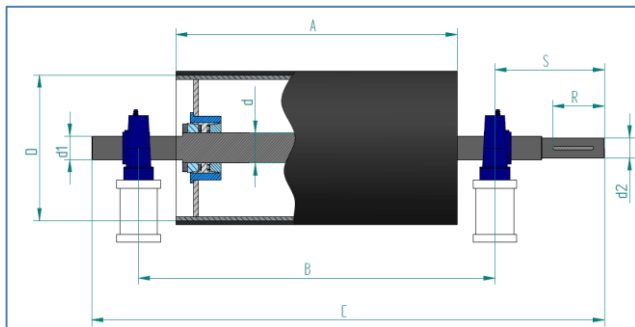
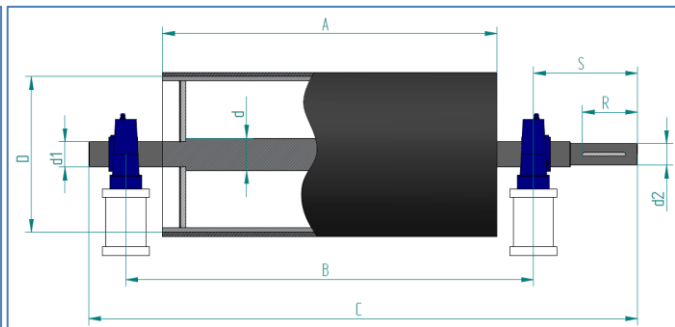


## Pulley dimensions according to belt width



Shaft with clamping units



Welded shaft

DRIVE PULLEY												
BELT WIDTH	PULLEY TYPE	PERFORATED BAR	D mm	A	B	C	d1	d	d2	R	S	T
400	DRIVE	200	194	500	660	830	40	45	38	80	145	25
	DRIVE	226,2	220	500	660	830	40	45	38	80	145	25
	DRIVE	279	273	500	660	830	40	45	38	80	145	25
	DRIVE	330	324	500	660	830	40	45	38	80	145	25
500	DRIVE	200	194	600	760	930	40	45	38	80	145	25
	DRIVE	226,2	220	600	760	930	40	45	38	80	145	25
	DRIVE	279	273	600	760	930	40	45	38	80	145	25
	DRIVE	330	324	600	760	930	40	45	38	80	145	25
	DRIVE	406,4	400	600	780	990	50	55	48	110	180	30
650	DRIVE	244,5	240	750	910	1080	40	45	38	80	145	25
	DRIVE	279	273	750	910	1080	40	45	38	80	145	25
	DRIVE	330	324	750	930	1140	50	55	48	110	180	30
	DRIVE	406,4	400	750	930	1140	50	55	48	110	180	30
800	DRIVE	330	324	950	1140	1350	50	55	48	110	180	30
	DRIVE	406,4	400	950	1140	1350	50	55	48	110	180	30
1000	DRIVE	330	324	1150	1340	1650	65	70	60	140	230	35
	DRIVE	406,4	400	1150	1340	1650	65	70	60	140	230	35
1200	DRIVE	330	324	1400	1610	1950	80	90	75	160	250	40
	DRIVE	406,4	400	1400	1610	1950	80	90	75	160	250	40
1400	DRIVE	330	324	1600	1810	2150	80	90	75	160	250	40
	DRIVE	406,4	400	1600	1810	2150	80	90	75	160	250	40
1600	DRIVE	330	324	1800	2010	2350	80	90	75	160	250	45
	DRIVE	406,4	400	1800	2010	2350	80	90	75	160	250	45
1800	DRIVE	406,4	400	2000	2230	2615	90	100	85	175	280	45
2000	DRIVE	406,4	400	2200	2465	2880	100	120	95	190	302,5	50